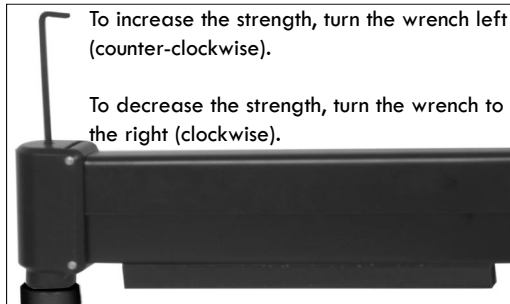


## Step 5 ADJUSTMENTS

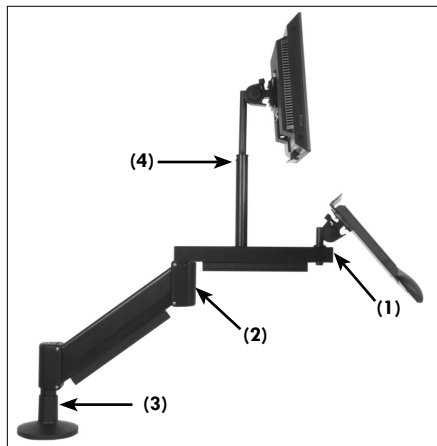
### A - HEIGHT ADJUSTMENT

With one hand hold the arm in a horizontal position (zero degrees), use your free hand to insert the 1/4" allen wrench.



When the arm does not drift up or downward, your adjustment is set.

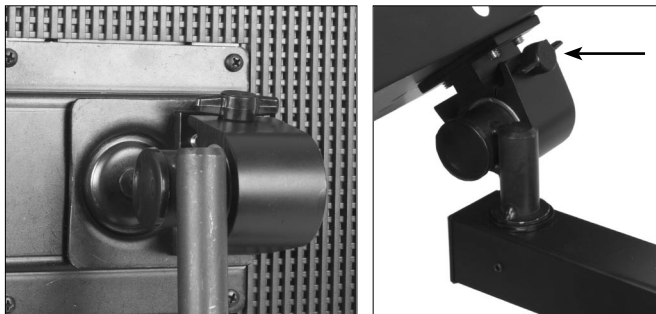
### B - FRICTION POINTS



Insert the 3/32 allen wrench into the appropriate set screw - tighten or loosen to the desire degree of joint friction.

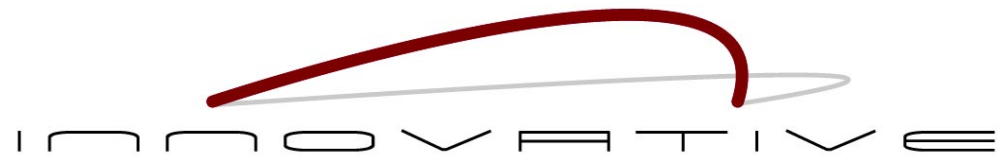
Friction adjustments are located (1) in the forearm, (2) the forearm's pivot point, (3) the mount base, (4) the center post located in the center of the forearm.

### C - TILT - LCD & KEYBOARD



If the tilt mechanism is too tight or to loose, simply turn the knob until you reach the desired tension.

Your assembly and modifications are complete. If you need additional assistance regarding this product or if you need to return this arm for any reason, please contact our customer service department at 800.524.2744 to obtain an Return Authorization Number (R/A).



*Ergonomic mounting solutions for monitors and keyboards*

## Model 9138/9139 LCD Monitor Arm Installation Instructions



### Step 1 Secure Arm to Mount

Be certain the mount is securely fastened to the surface before beginning.

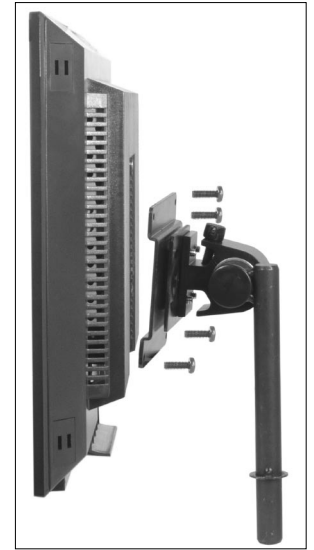
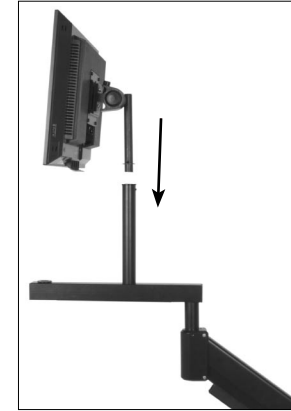


Insert the shaft of the Arm assembly into the mount.

### Step 3 Attaching Tilt Mechanism to LCD & Arm

Attach the Adapter Bracket to the back of the Flat Panel using the 4 (four) M4-16 Philips Button Head Screws.

Slide the pole into the center post and tighten the set screw with the 3/32 allen wrench.



### Step 2 Attach Bracket to Tilt Mechanism



Attach the tilt mechanism to the adapter bracket using the (4) 1/4-20 x 1/2" Philips flat head screws.

### Step 4 Attaching the Keyboard to the LCD

After following the assembly instructions for the keyboard, slide the tilt mechanism on the keyboard platform into the end of the arm.

