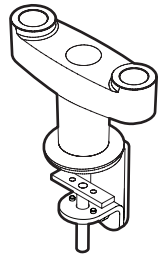
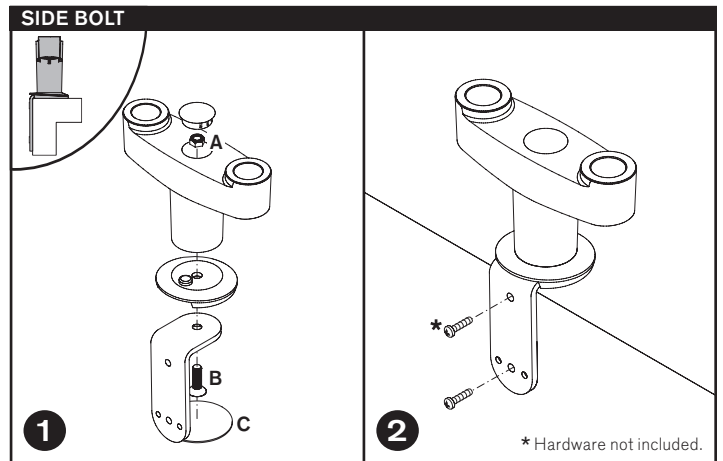
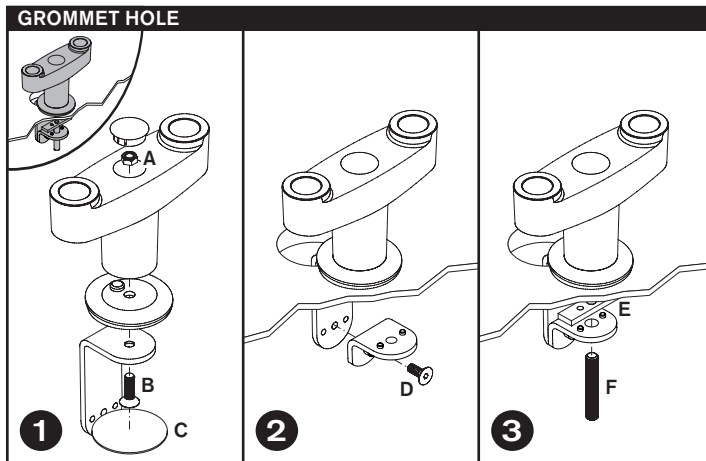
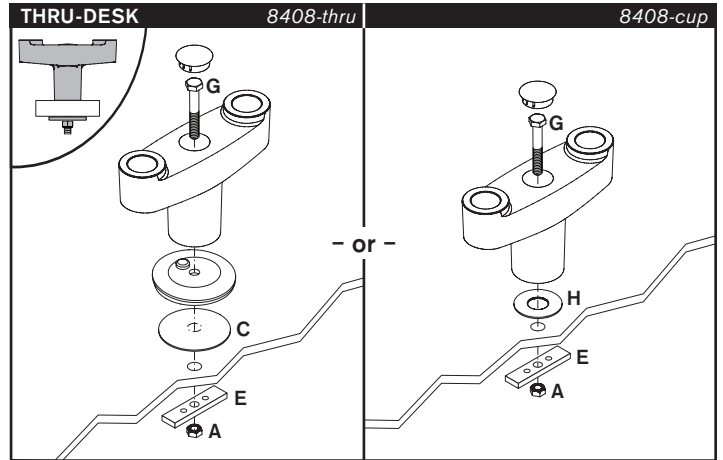
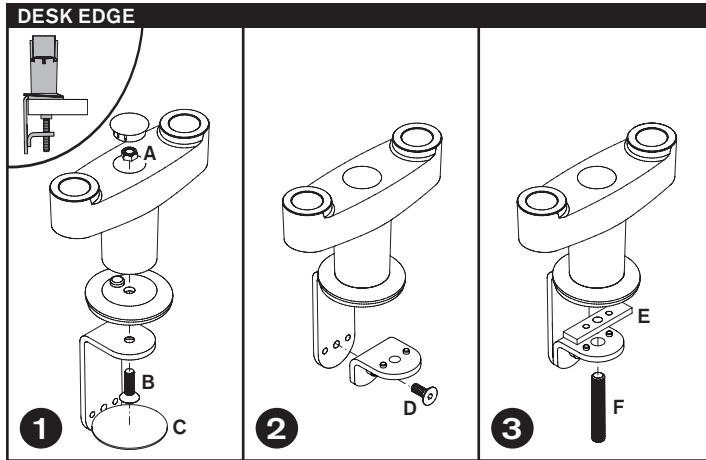


# MODEL 8408

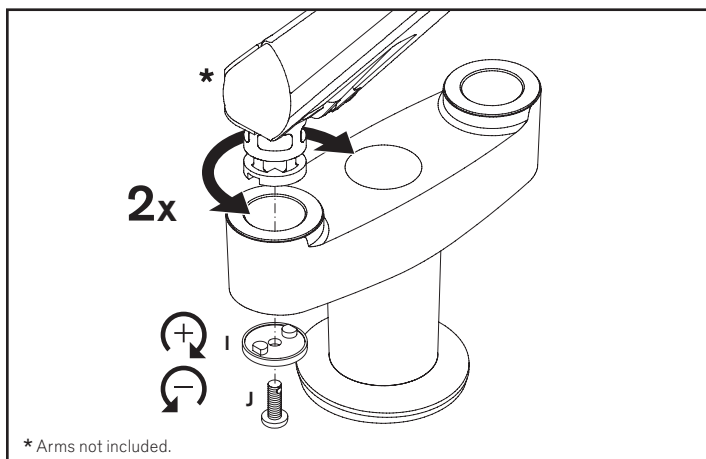
## Installation Instructions



### STEP 1 CHOOSE MOUNT CONFIGURATION


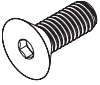

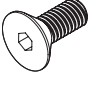
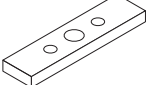
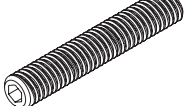


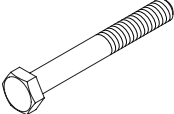

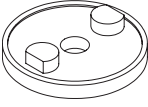
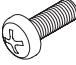
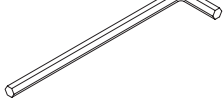
### STEP 2 ADJUST ARM ROTATION FRICTION



# MODEL 8408

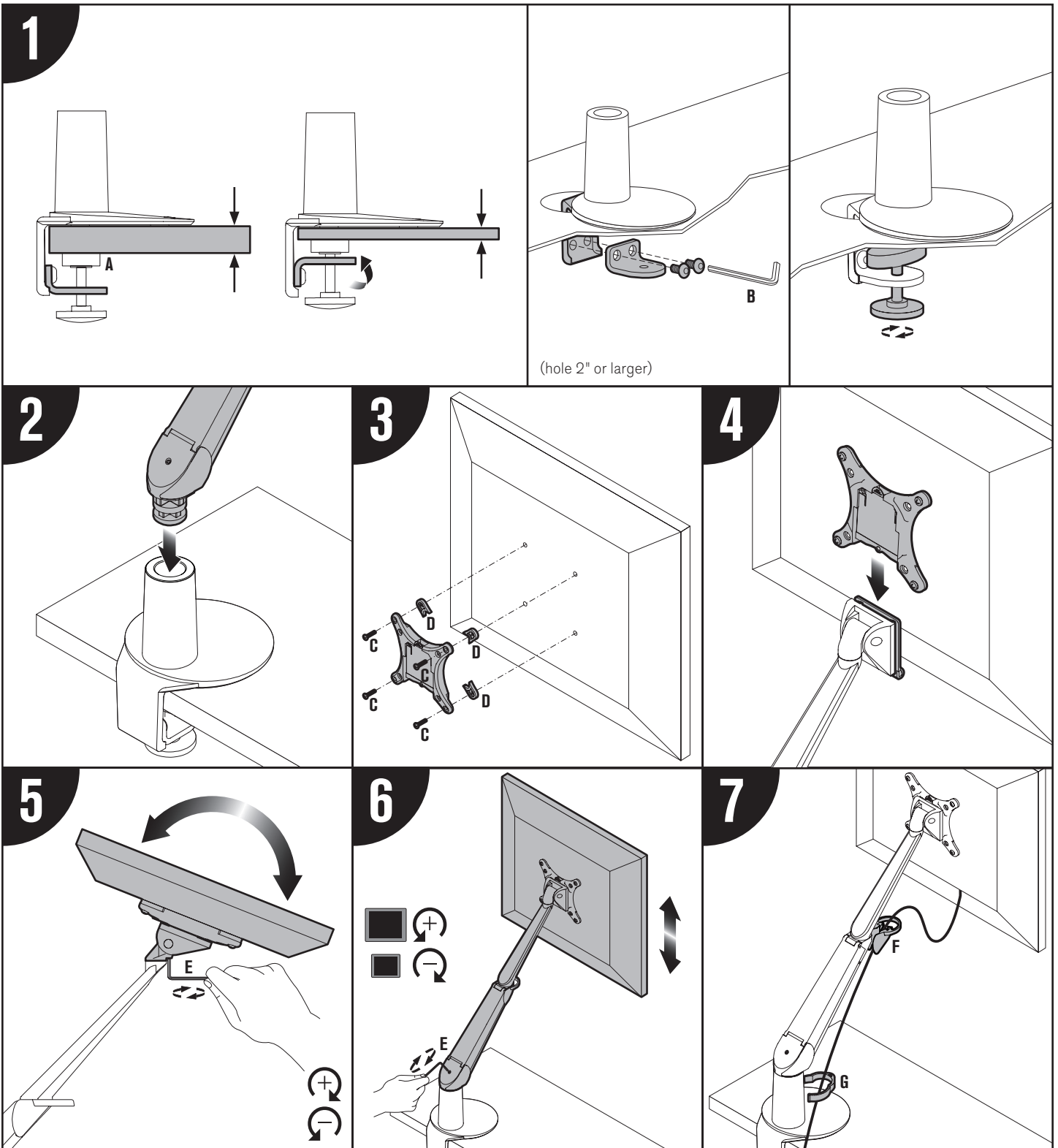
## Parts List

| ITEM   | DESCRIPTION / PART NO.  | QUANTITY |
|--|---|----------|
| A<br>   | <b>3/8-16 Nylon Stop Nut</b><br>701418  | 1        |
| B<br>   | <b>3/8-16 x 1-1/4" Flat Socket Cap Screw</b> 1<br>701855                          |          |
| C<br>   | <b>Foam Pad</b> 1<br>701565 <i>Included with Models 8408 &amp; 8408-thru only</i> |          |
| D<br>   | <b>3/8-16 x 7/8" Flat Socket Cap Screw</b> 1<br>701799                            |          |
| E<br> | <b>Rectangular Spacer</b> 1<br>701544   |          |
| F<br> | <b>1/2-13 x 3" Socket Set Screw</b> 1<br>701126                                   |          |

| ITEM  | DESCRIPTION / PART NO.   | QUANTITY |
|---|--|----------|
| G<br>   | <b>3/8-16 x 2-1/2" Hex Head Bolt</b> 1<br>700268 <i>Included with Models 8408-thru &amp; 8408-cup only</i> |          |
| H<br>    | <b>Foam Pad</b> 1<br>701120 <i>Included with Model 8408-cup only</i>                                       |          |
| I<br>   | <b>End Cap Dog Washer</b> 2<br>104989  |          |
| J<br>    | <b>M6-1 x 18mm Phillips Pan Head Screw</b> 2<br>105304   |          |
| K<br> | <b>7/32" Allen Wrench</b> 1<br>701127  |          |

# EVO<sup>®</sup> 5545-QR Installation Instructions

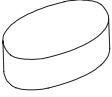
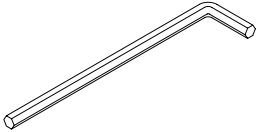
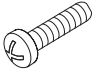




www.LCDarms.com | 800.524.2744



INNOVATIVE

# EVO® 5545-QR Parts List

www.LCDarms.com | 800.524.2744

| ITEM  | DESCRIPTION / PART NO.                 | QUANTITY |
|---|--|----------|
| <b>A</b><br>   | <b>FLEXmount Screw Plate</b><br>104753 | 1        |
| <b>B</b><br>   | <b>7/32" Allen Wrench</b><br>701127    | 1        |
| <b>C</b><br>   | <b>M4 x .7 x 18mm Screw</b><br>704917  | 4        |
| <b>D</b><br>  | <b>Spacer-Screw Retainer</b><br>104887 | 4        |
| <b>E</b><br> | <b>3mm Allen Wrench</b><br>701313      | 1        |
| <b>F</b><br> | <b>Cable Clip</b><br>105105            | 1        |
| <b>G</b><br> | <b>Lower Cable Clip</b><br>104484      | 1        |