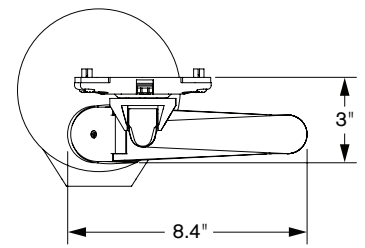
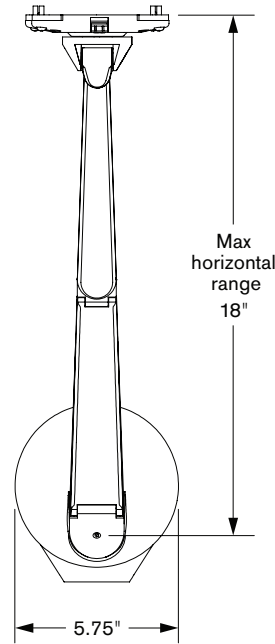
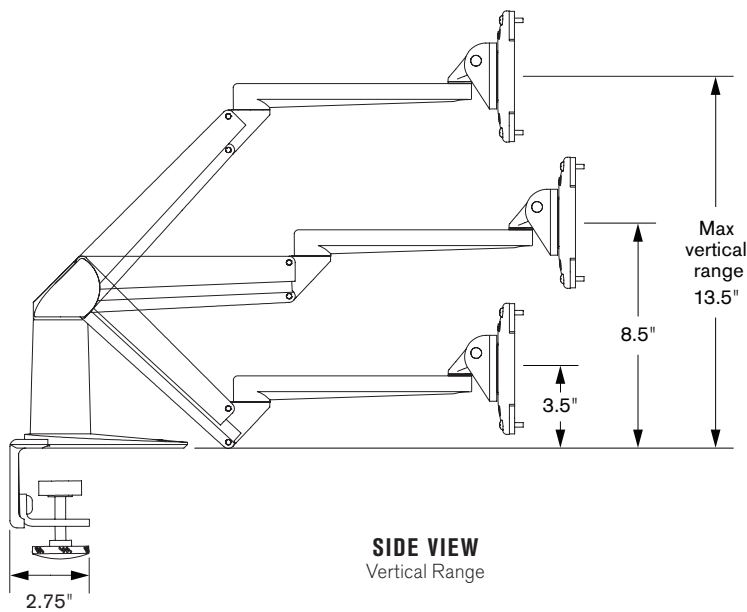


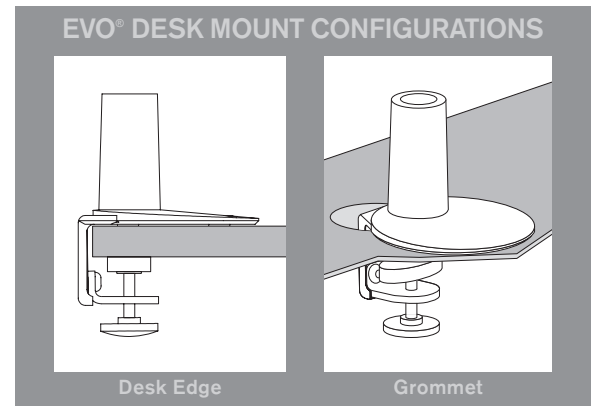
EVO[®] 5507

Specifications

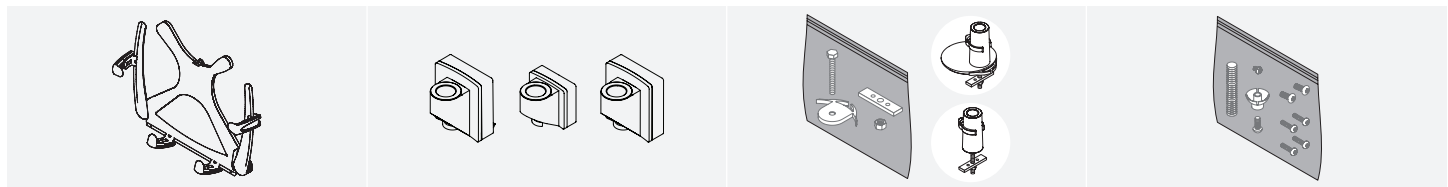


CAPABILITIES

- Vertical range:**..... +/- 5" from horizontal
- Horizontal range:**..... 18"
- Rotation:**..... 360 degrees at three joints
- Monitor tilt:**..... 185 degrees
- Monitor pivot:**..... Landscape to portrait
- Monitor compatibility:**..... VESA[®] MIS-D, 100/75, C compliant
- Cable management:**..... Cables are clipped beneath arm
- Mounting options:**..... Desk clamp (2" thickness or less)
Grommet mount (2" or larger)
Slatwall, Slatrail and Wall bracket (sold separately)
- Monitor weight/model number:**..... 6 - 13 lbs / 5507-250
13 - 21 lbs / 5507-450



OPTIONAL ACCESSORIES



LAPTOP/TABLET PC HOLDER
Attaches to arm via quick-install mechanism. Configures to support laptops or tablet PCs (5501).

MOUNTS
Slatwall (8330), Slatrail (8331) and Wall (8332).

MOUNT EXPANSION KIT
Kit of parts enabling you to convert EVO[®] Desk Mount for through-desk and grommet mounting (5509).

SECURITY KIT
Kit contains parts to convert EVO[®] arm to secure EVO[®] arm (5509).