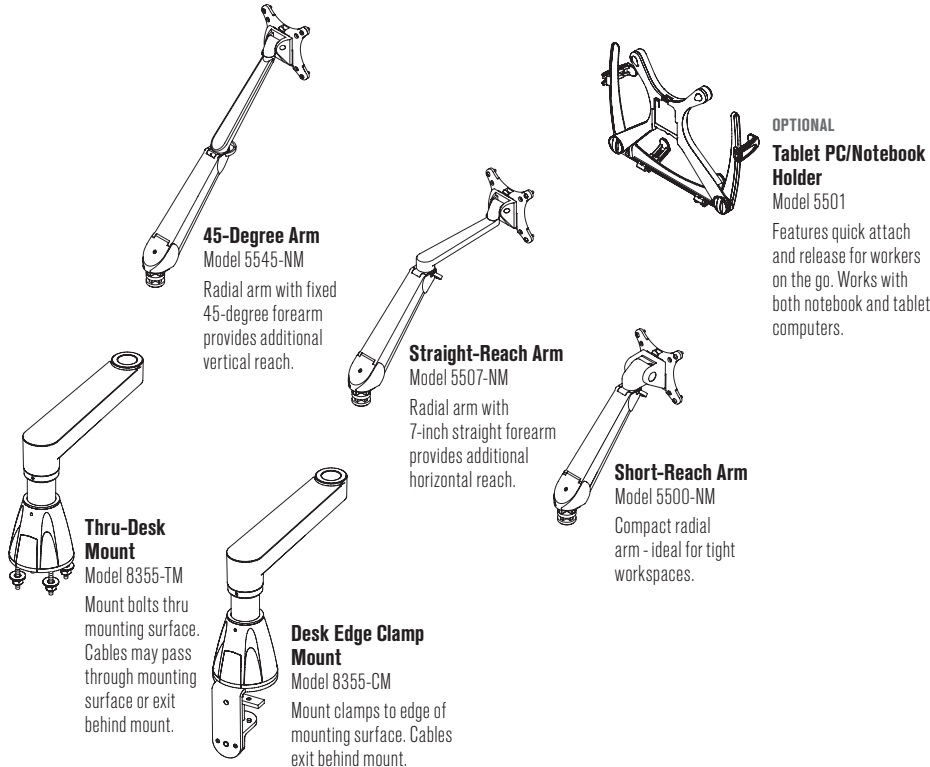


# EVO<sup>®</sup> 5600 Series

Specifications

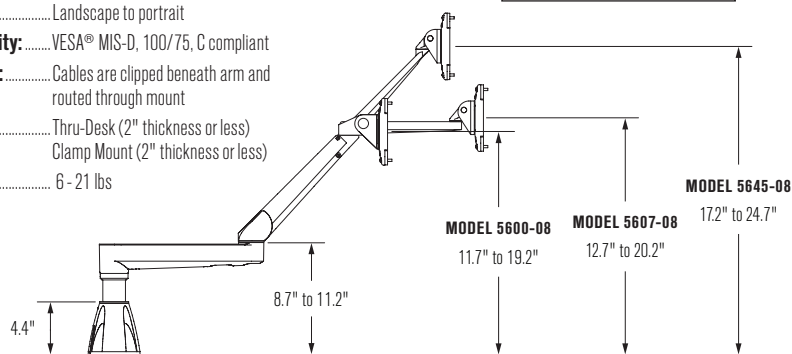
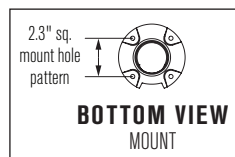


## MODEL 5600 COMPONENTS

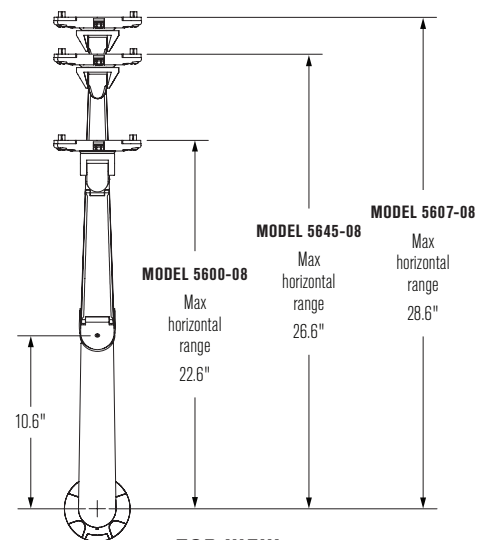


## MODEL 5600 CAPABILITIES

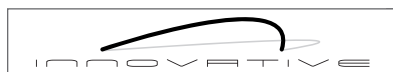
- Rotation:** ..... 360 degrees at four joints (except Model 5500, rotates at three joints)
- Vertical movement (arm):** ... +/- 5" from horizontal
- Monitor tilt:** ..... 185 degrees
- Monitor pivot:** ..... Landscape to portrait
- Monitor compatibility:** ..... VESA<sup>®</sup> MIS-D, 100/75, C compliant
- Cable management:** ..... Cables are clipped beneath arm and routed through mount
- Mounting options:** ..... Thru-Desk (2" thickness or less)  
Clamp Mount (2" thickness or less)
- Monitor weight:** ..... 6 - 21 lbs



**SIDE VIEW**  
Vertical Range



**TOP VIEW**  
Horizontal Range



Phone: 800.524.2744 | Fax: 610.253.9521 | E-mail: sales@LCDarms.com | Web: www.LCDarms.com

This product is protected by one or more of the following U.S. Patent Nos. and other United States and foreign patents applied for: 119,345, 119,346, 1,324,842, 2,470,525, 6,076,785, 6,273,383, 6,409,134, 6,478,274, 6,499,704, 6,505,988, 6,609,691, 6,191,606, 6,719,253, 6,726,167, 6,736,364, 6,783,105, 6,854,698, 6,915,994, 6,935,883, 6,955,328, 6,983,917, 6,986,489, 7,014,157, 7,017,874, 7,048,242, 7,059,574, 7,063,296, 7,066,433, 7,066,435, 7,389,965, D435,852, D491,952, D492,893, D570,853, D575,293. EVO<sup>®</sup> is a trademark of Innovative Office Products, Inc., registered in the U.S. Patent and Trademark Office.