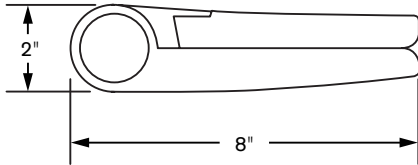


# Cricket™

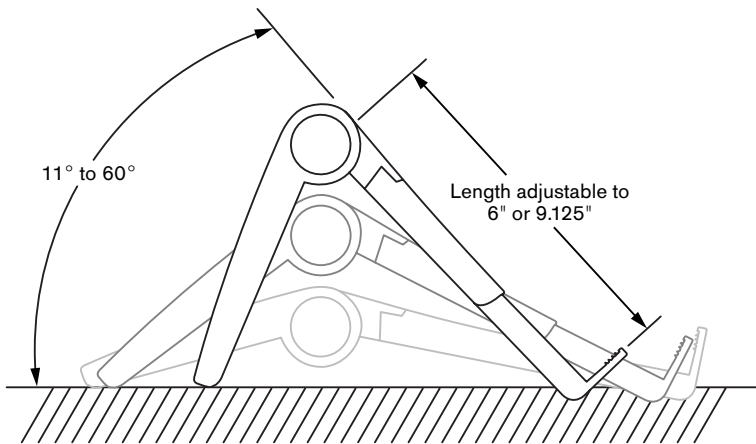
Specifications



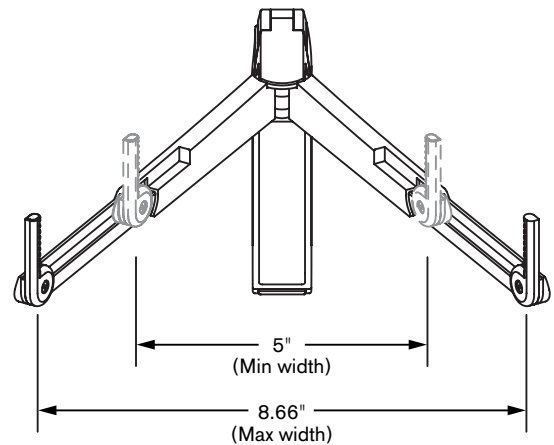
**SIDE VIEW**  
(Folded)



**FRONT VIEW**  
(Folded)



**SIDE VIEW**



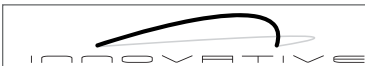
**FRONT VIEW**

**Folded size (L x W x D):** ..... 8" x 2" x 1"

**Weight:** ..... 6 oz

**Height adjustment:** ..... 11° to 60° (in six increments)

**Laptop/Tablet PC compatibility:** ..... < 12 lbs



Phone: 800.524.2744 | Fax: 610.253.9521 | E-mail: sales@LCDarms.com | Web: www.LCDarms.com

This product is protected by one or more of the following U.S. Patent Nos., and other United States and foreign patents applied for: 6,076,785, 6,273,383, 6,409,134, 6,478,274, 6,499,704, 6,505,988, 6,609,691, 6,19,606, 6,719,253, 6,726,167, 6,736,364, 6,783,105, 6,854,698, 6,915,994, 6,935,883, 6,955,328, 6,983,917, 6,986,489, 7,014,157, 7,017,874, 7,048,242, 7,059,574, 7,063,296, 7,066,433, 7,066,435, D435,852, D491,952, D492,893.