

Model 8326

Specifications



DESIGN YOUR OWN VERTICAL WALL TRACK SYSTEM

Innovative's wall track system can accommodate a:

- ▲ LCD arm
- ▲ Keyboard arm
- ▲ CPU holder

Choose the components to create a track system that works best for you.

Cable Management

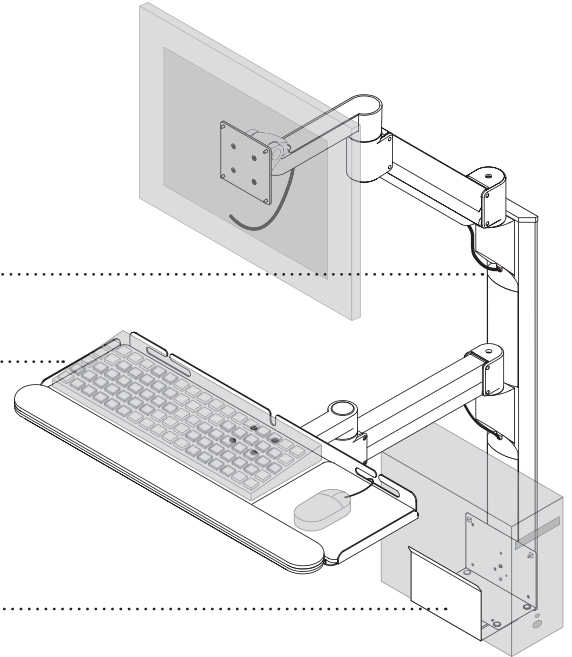
Innovative's cable management system keeps cables organized and out of view.

Keyboard Arm

Large keyboard tray accommodates keyboard and mouse. Arm extends up to 24", collapses to 3" when not in use.

CPU Mount

Adjustable mount elevates CPU to save space and its sturdy metal construction keeps CPU safe.



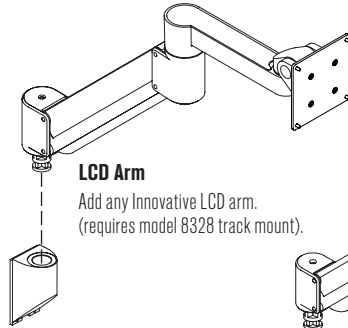
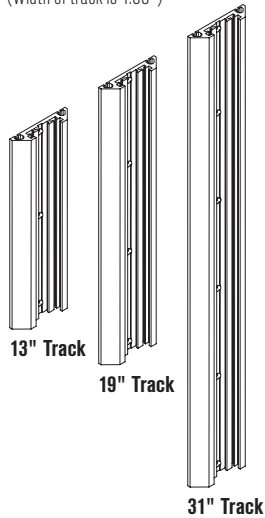
Sample vertical wall track system setup.

TRACK SYSTEM COMPONENTS

Wall Track

Model 8326

Choose from three lengths: 13", 19" and 31".
(Width of track is 4.36")



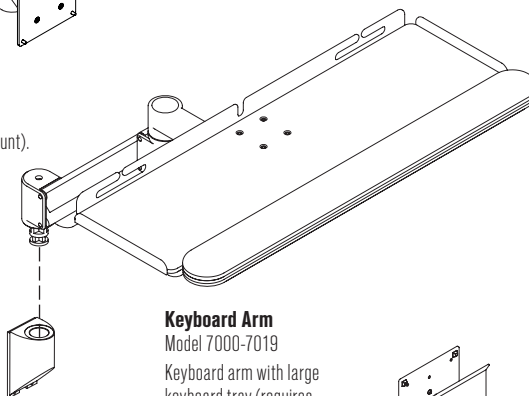
LCD Arm

Add any Innovative LCD arm.
(requires model 8328 track mount).

Track Mount

Model 8328

Mounts arm to track.



Keyboard Arm

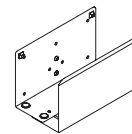
Model 7000-7019

Keyboard arm with large keyboard tray (requires model 8328 track mount).

Track Mount

Model 8328

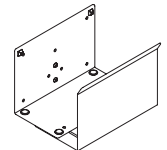
Mounts arm to track.



Small CPU Holder

Model 8335-SM

Adjusts to support CPUs from 2" - 3" wide



Large CPU Holder

Model 8335-LG

Adjusts to support CPUs from 5" - 7.5" wide



Medium CPU Holder

Model 8335-MD

Adjusts to support CPUs from 3" - 5" wide



Phone: 800.524.2744 | Fax: 610.253.9521 | E-mail: sales@LCDarms.com | Web: www.LCDarms.com

This product is protected by one or more of the following U.S. Patent Nos., and other United States and foreign patents applied for: 6,076,785, 6,273,383, 6,409,134, 6,478,274, 6,499,704, 6,505,988, 6,609,691, 6,19,606, 6,719,253, 6,726,167, 6,736,364, 6,783,105, 6,854,698, 6,915,994, 6,935,883, 6,955,328, 6,983,917, 6,986,489, 7,014,157, 7,017,874, 7,048,242, 7,059,574, 7,063,296, 7,066,433, 7,066,435, D435,852, D491,952, D492,893.