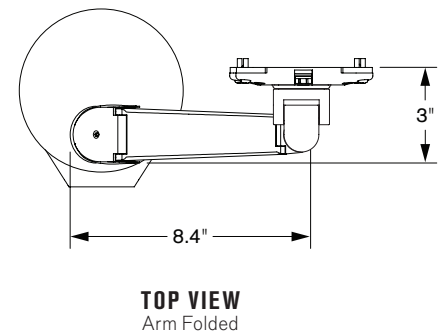
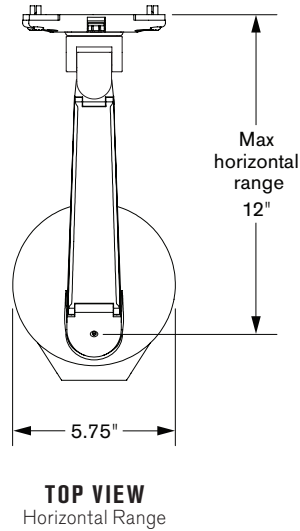
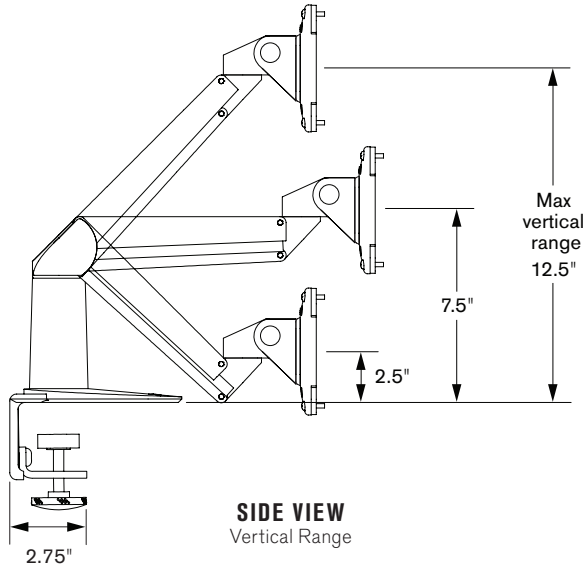


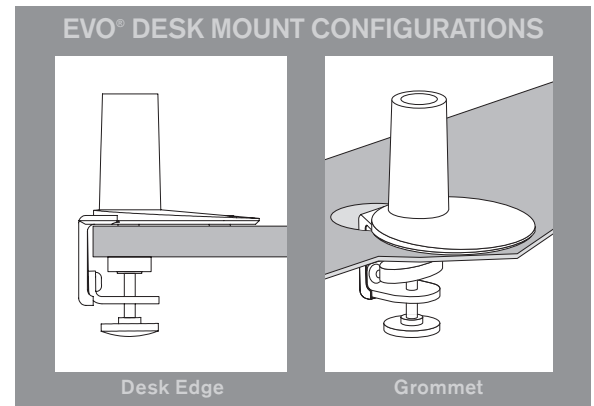
EVO[®] 5500

Specifications

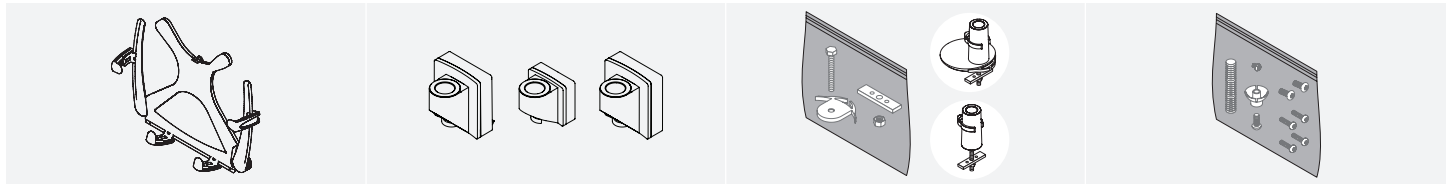


CAPABILITIES

- Vertical range:**..... +/- 5" from horizontal
- Horizontal range:**..... 12"
- Rotation:**..... 360 degrees at two joints
- Monitor tilt:**..... 185 degrees
- Monitor pivot:**..... Landscape to portrait
- Monitor compatibility:**..... VESA[®] MIS-D, 100/75, C compliant
- Cable management:**..... Cables are clipped beneath arm
- Mounting options:**..... Desk clamp (2" thickness or less)
Grommet mount (2" or larger)
Slatwall, Slatrail and Wall bracket (sold separately)
- Monitor weight/model number:**..... 6 - 13 lbs / 5500-250
13 - 21 lbs / 5500-450



OPTIONAL ACCESSORIES

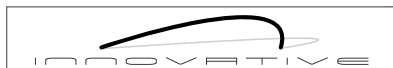


LAPTOP/TABLET PC HOLDER
Attaches to arm via quick-install mechanism. Configures to support laptops or tablet PCs (5501).

MOUNTS
Slatwall (8330), Slatrail (8331) and Wall (8332).

MOUNT EXPANSION KIT
Kit of parts enabling you to convert EVO[®] Desk Mount for through-desk and grommet mounting (5509).

SECURITY KIT
Kit contains parts to convert EVO[®] arm to secure EVO[®] arm (5510).



Phone: 800.524.2744 | Fax: 610.253.9521 | E-mail: sales@LCDarms.com | Web: www.LCDarms.com

This product is protected by one or more of the following U.S. Patent Nos. and other United States and foreign patents applied for: 119,345, 119,346, 1,324,842, 2,470,525, 6,076,785, 6,273,383, 6,409,134, 6,478,274, 6,499,704, 6,505,988, 6,609,691, 6,191,606, 6,719,253, 6,726,167, 6,736,364, 6,783,105, 6,854,698, 6,915,994, 6,935,883, 6,955,328, 6,983,917, 6,986,489, 7,014,157, 7,017,874, 7,048,242, 7,059,574, 7,063,296, 7,066,433, 7,066,435, 7,389,965, D435,852, D491,952, D492,893, D570,853, D575,293. EVO[®] is a trademark of Innovative Office Products, Inc., registered in the U.S. Patent and Trademark Office.