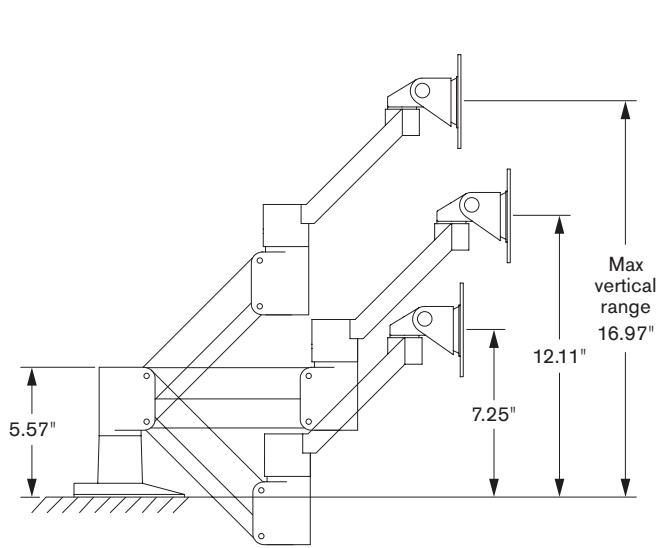
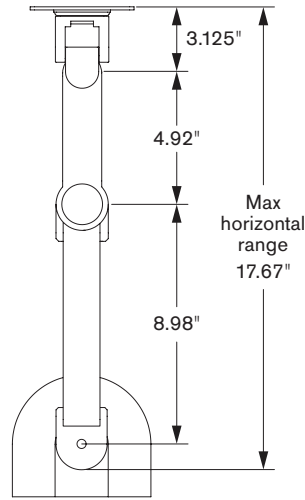


Model 3545

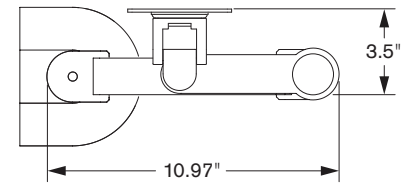
Specifications



SIDE VIEW
Vertical Range



TOP VIEW
Horizontal Range

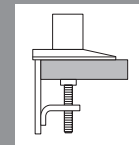


TOP VIEW
Arm Fold

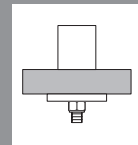
CAPABILITIES

Vertical range	9.72"
Horizontal range	17.67"
Rotation	360 degrees at three joints
Monitor tilt	200 degrees
Monitor pivot	Landscape to portrait
Monitor compatibility	VESA® 75mm and 100mm
Cable management	Cables are concealed in arm
Mounting options	FLEXmount™, Slatwall, Wall, Thru-Desk
Monitor weight/model number	1.5 - 14.5 lbs / 3545-250 4 - 25.5 lbs / 3545-450 7.5 - 28 lbs / 3545-600

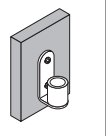
FLEXMOUNT™ CONFIGURATIONS



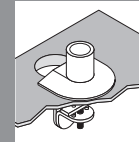
Desk Clamp



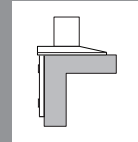
Thru-Desk



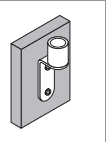
Wall



Grommet Hole



Side Bolt

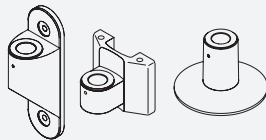


Reverse Wall

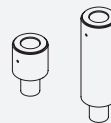
OPTIONAL ACCESSORIES



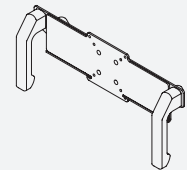
QUICK RELEASE ADAPTERS
Allows for quick attach and release of monitor (8336-QR).



MOUNTS
Wall (8325), slatwall (8246) and thru-desk (8312).



EXTENDER TUBES
Raise the height of your arm. 2" (8171-2) and 6" (8171-6) extensions available.



HANDLE SET
Provides convenient handles to reposition monitor (8291).



Phone: 800.524.2744 | Fax: 610.253.9521 | E-mail: sales@LCDarms.com | Web: www.LCDarms.com

This product is protected by one or more of the following U.S. Patent Nos. and other United States and foreign patents applied for: 119,345, 119,346, 1,324,842, 2,470,525, 6,076,785, 6,273,383, 6,409,134, 6,478,274, 6,499,704, 6,505,988, 6,609,691, 6,191,606, 6,719,253, 6,726,167, 6,736,364, 6,783,105, 6,854,698, 6,915,994, 6,935,883, 6,955,328, 6,983,917, 6,986,489, 7,014,157, 7,017,874, 7,048,242, 7,059,574, 7,063,296, 7,066,433, 7,066,435, 7,389,965, D435,852, D491,952, D492,893, D570,853, D575,293.