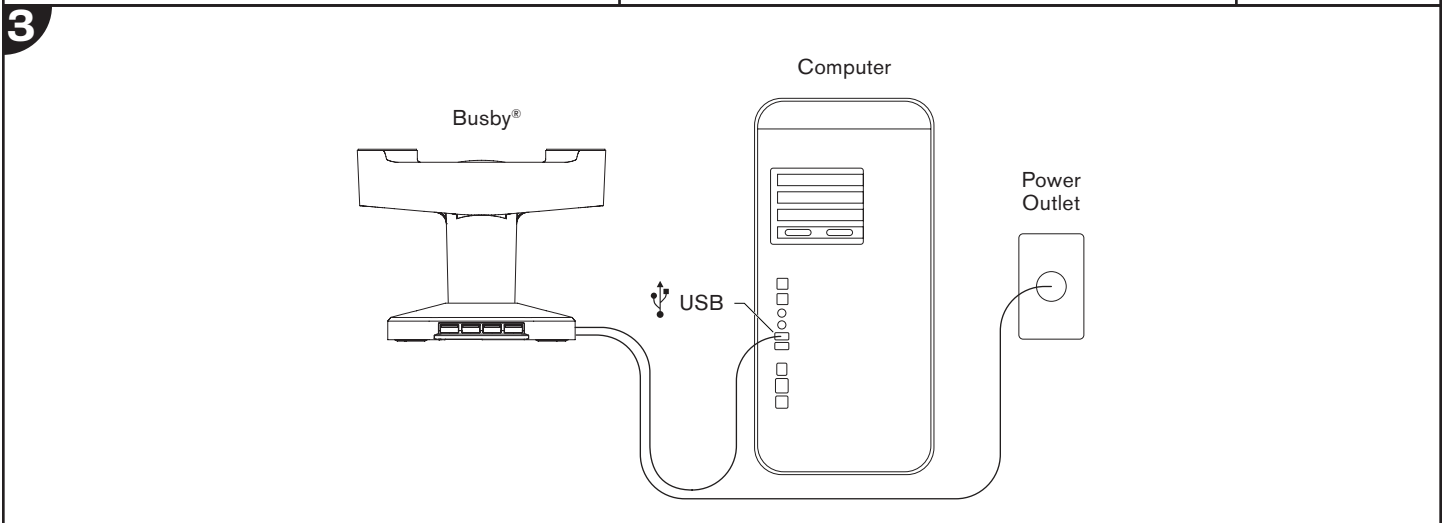
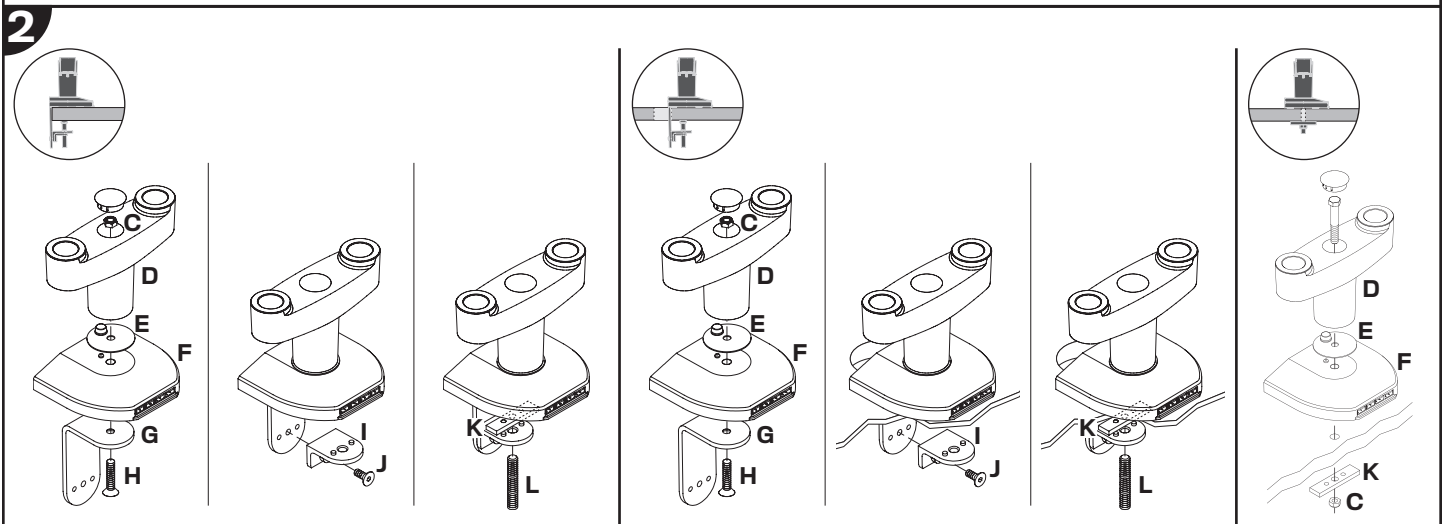
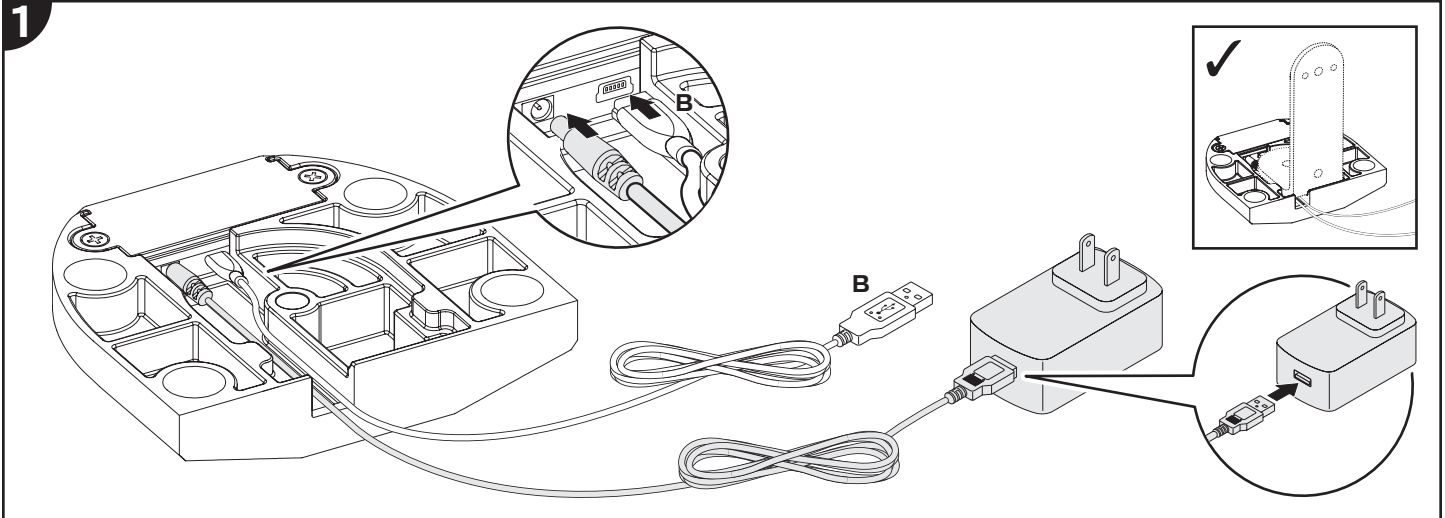
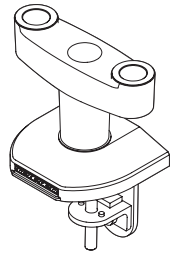


Innovative Ergonomic Solutions companies

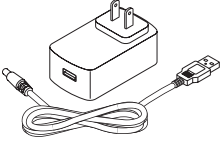


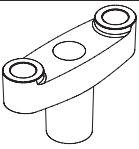
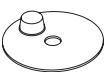

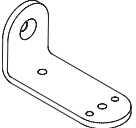
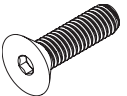
BUSBY® 8451-8408

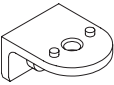
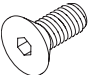
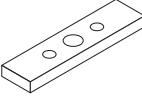
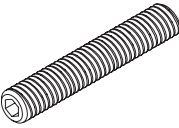
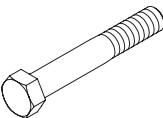
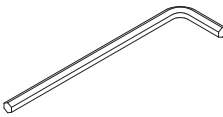

Installation Instructions



BUSBY® 8451-8408

Parts List

ITEM QUANTITY	DESCRIPTION / PART NO.
A	 Power Cord & Adapter 1 710884
B	 USB Data Cable 1 710600
C	 3/8-16 Nylon Stop Nut 1 701418
D	 Dual Mount Column 1 409652
E	 Adapter Bushing 1 110643
F	 Busby® Base Plate 1 410732
G	 Large "L" Bracket 1 702828
H	 3/8-16 x 1-3/4" Flat Socket Cap Screw 1 710644

ITEM QUANTITY	DESCRIPTION / PART NO.
I	 Small "L" Bracket 1 701116
J	 3/8-16 x 7/8" Flat Socket Cap Screw 1 701799
K	 Rectangular Spacer 1 701544
L	 1/2-13 x 3" Socket Set Screw 1 701126
M	 3/8-16 x 2-1/2" Hex Head Bolt 1 701964
N	 7/32" Allen Wrench 1 701127
O	 3/32" Allen Wrench 1 700146