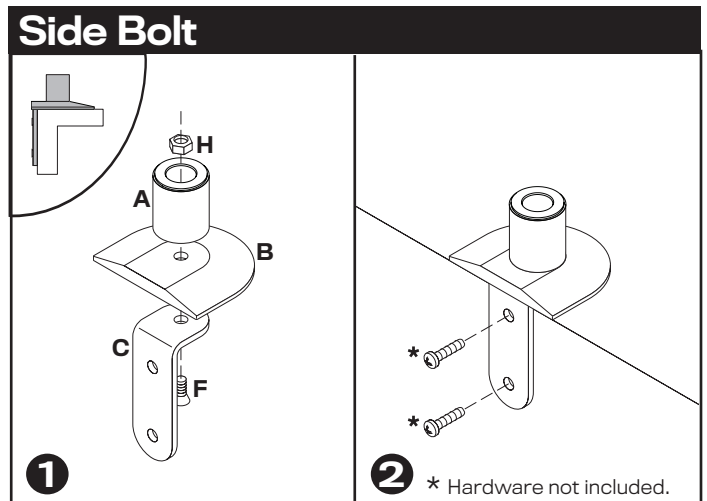
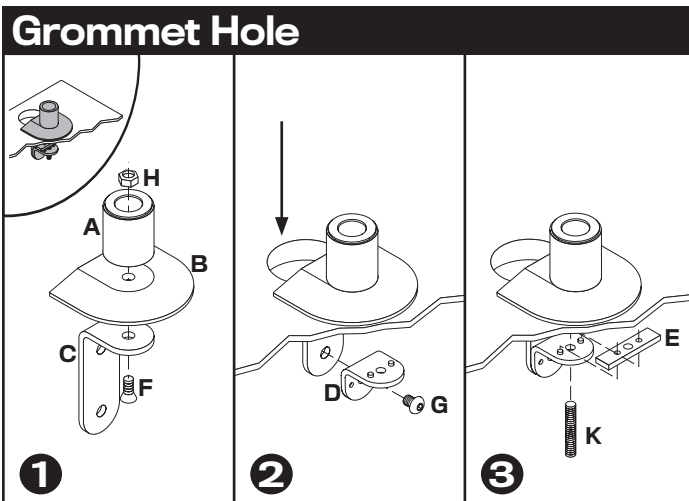
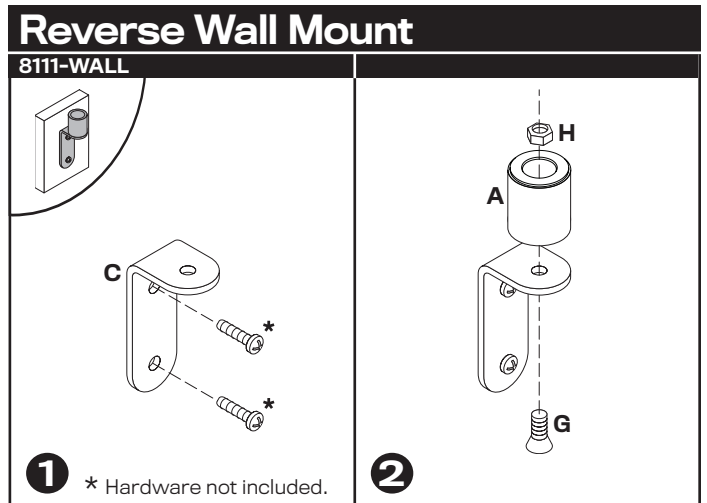
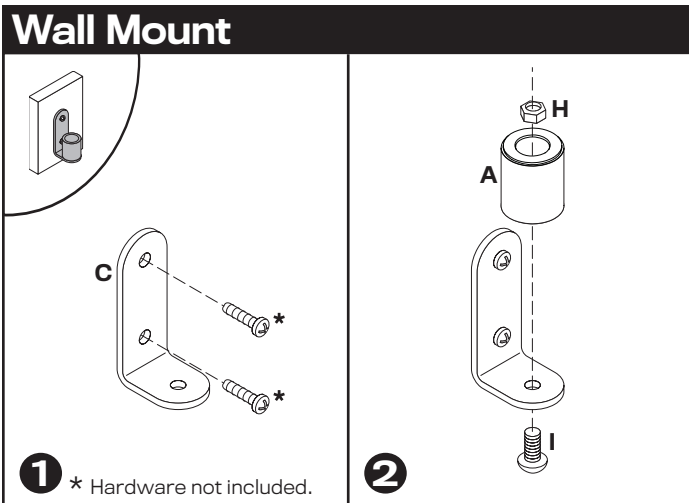
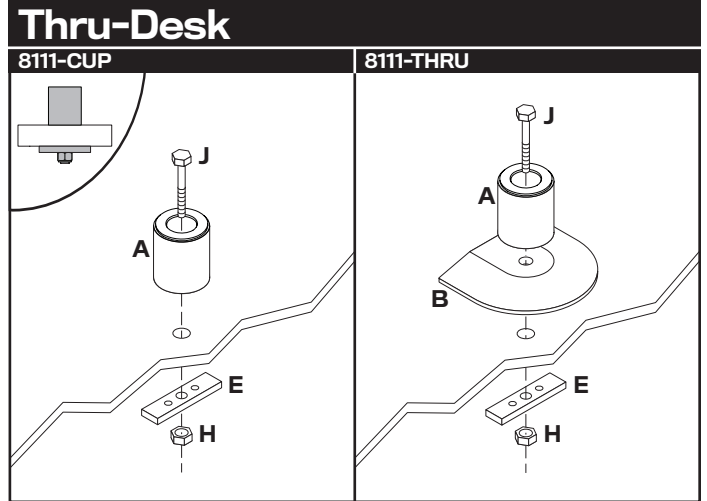
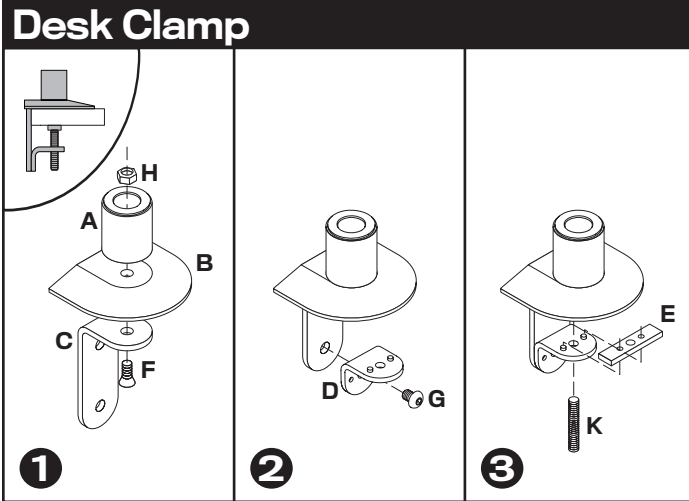
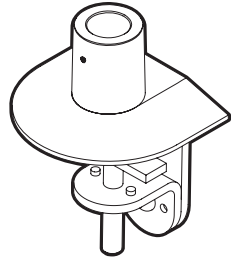


Innovative Ergonomic Solutions companies

FLEXMOUNT® 8111

Installation Instructions



FLEXMOUNT® 8111

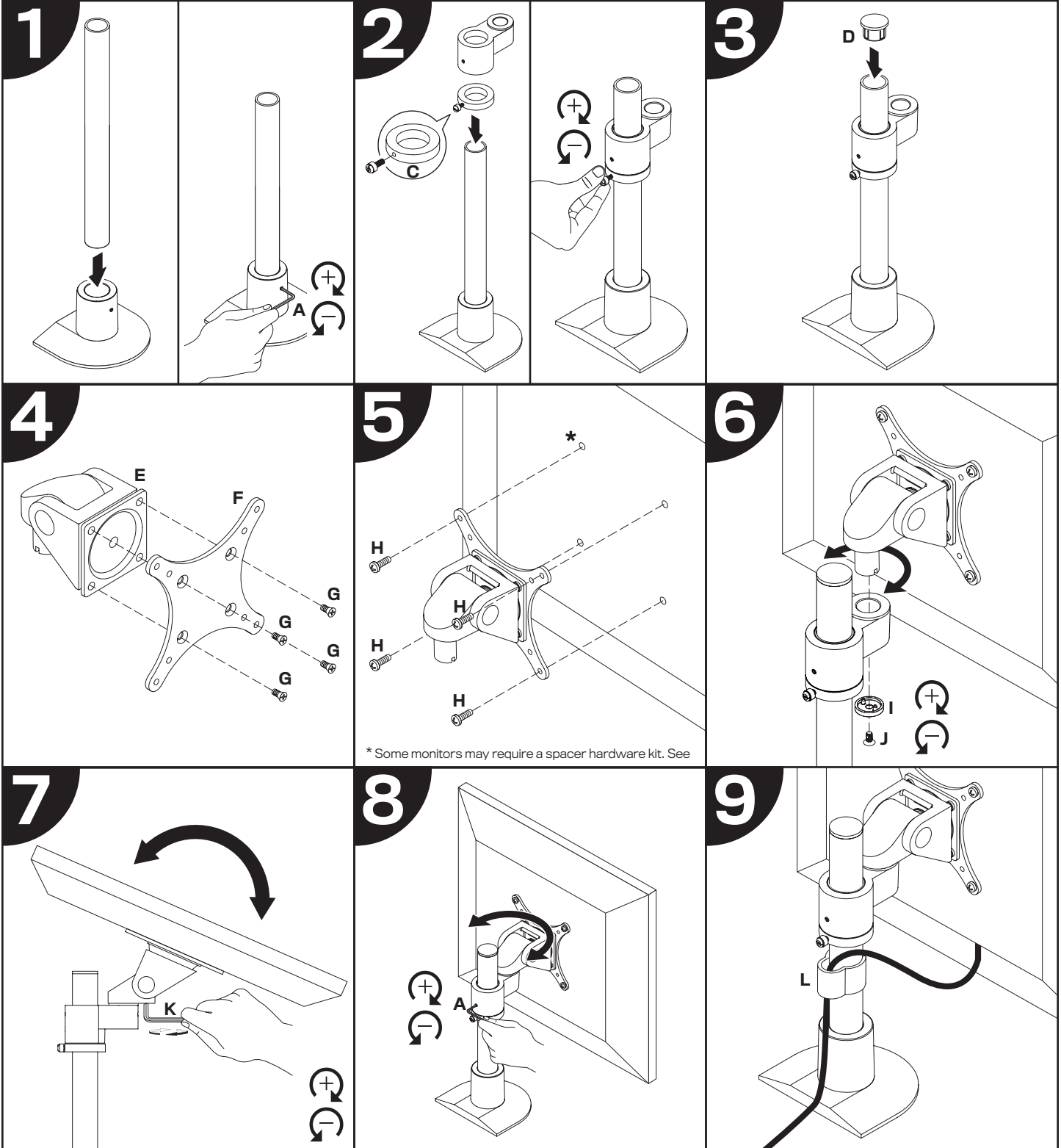
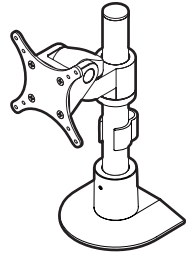
Parts List

ITEM QUANTITY	DESCRIPTION / PART NO.
A 1	Mount Column 401328
B 1	Base Plate 406656
C 1	Large "L" Bracket 701117
D 1	Small "L" Bracket 111728
E 1	Rectangular Spacer 701544
F 1	3/8-16 x 1" Flat Socket Cap Screw 701124

ITEM QUANTITY	DESCRIPTION / PART NO.
G 1	3/8-16 x 1/2" BHSCS 702898
H 1	3/8-16 Nylon Stop Nut 701418
I 1	3/8-16 x 7/8" Button Socket Cap Screw 701122
J 1	3/8-16 x 2-1/2" Hex Head Bolt 700268
K 1	1/2-13 x 3" Socket Set Screw 701126

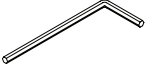
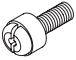


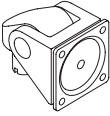

Innovative Ergonomic Solutions companies


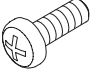


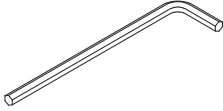
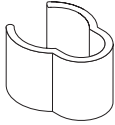
MODEL 9136



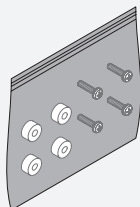
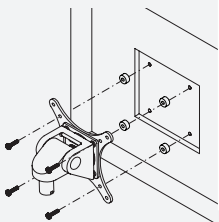
* Some monitors may require a spacer hardware kit. See

MODEL 9136

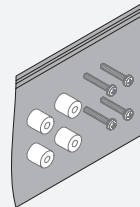
ITEM	DESCRIPTION / PART NO.	
A	3/32" Allen Wrench 700146	1
		
B	10-32 x 1/2" Thumbscrew 700959	1
		
C	Collar 701318	1
		
D	Pole Cap 110022	1
		
E	Monitor Tilter 405397	1
		
F	75/100mm VESA® Adapter Plate 105587	1
		

ITEM	DESCRIPTION / PART NO.	
G	10-32 x 3/8" Phillips Flat Head Screw 702281	1 (4-pack)
		
H	M4 x 12mm Phillips Pan Head Screw 702096	1 (4-pack)
		
I	Dog Washer 105189	1
		
J	10-32 x 3/8" FPhMS w/Lock Patch 705198	1
		
K	7/32" Allen Wrench 701127	1
		
L	Cable Clip 104533	1
		

OPTIONAL SPACER KITS In some cases, the mounting surface on your monitor may be recessed further than permitted by VESA® standards. As a result, a spacer kit may be required.



.25" Spacer Hardware Kit
 (4) .25" Spacers
 (4) M4 x 18mm Phillips Pan Head Screws
 Order # P404923-B

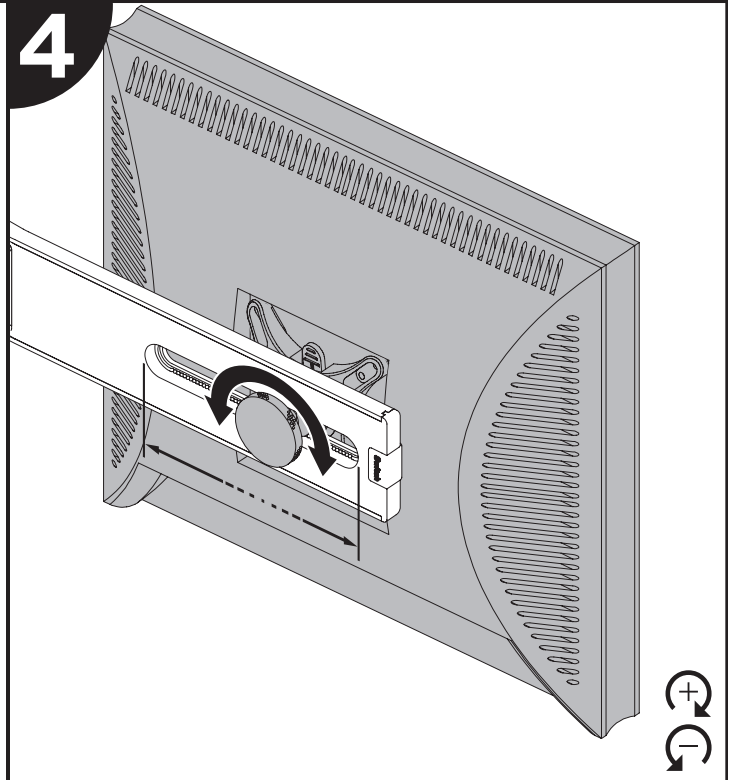
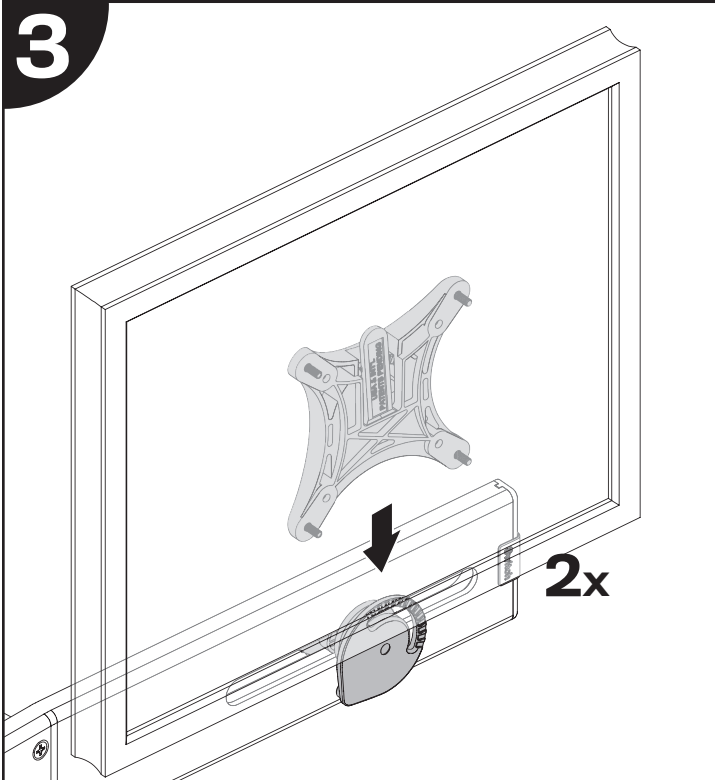
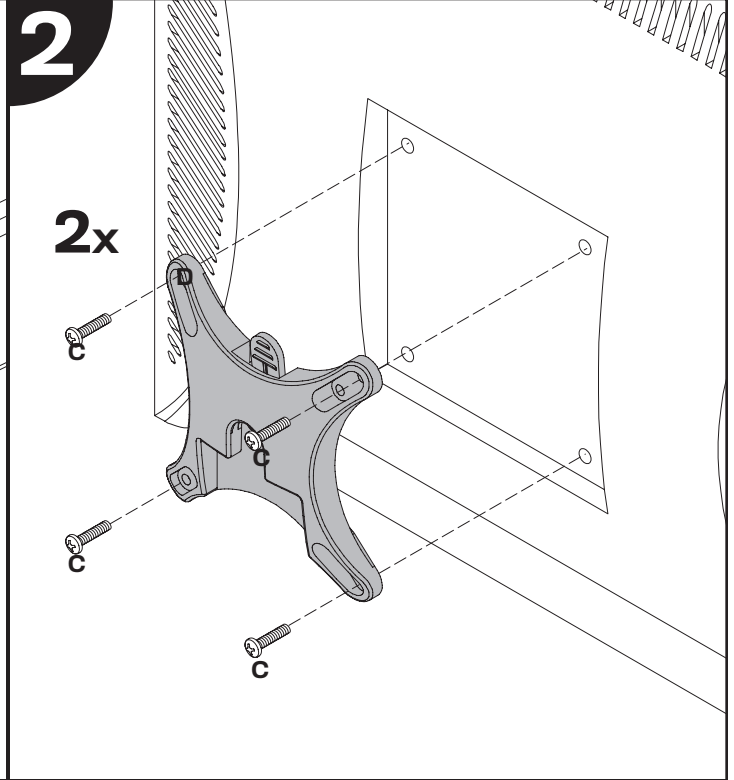
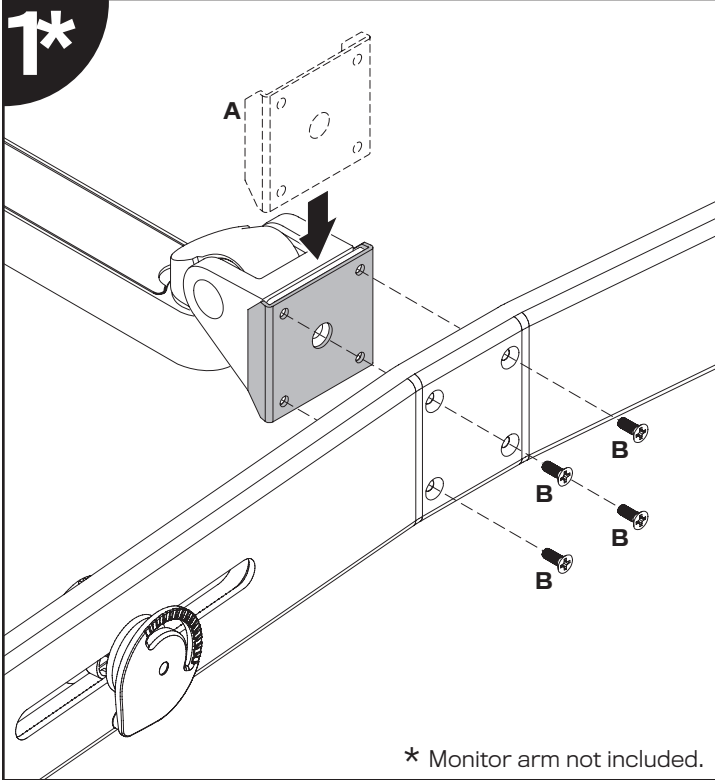
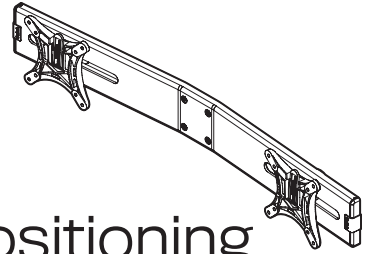


.5" Spacer Hardware Kit
 (4) .5" Spacers
 (4) M4 x 25mm Phillips Pan Head Screws
 Order # P404923-C

Innovative Ergonomic Solutions companies

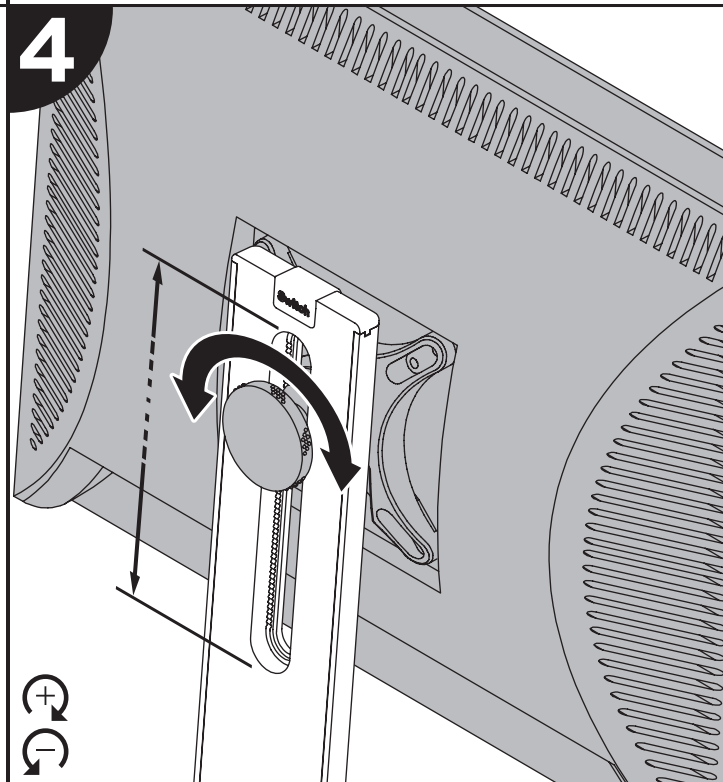
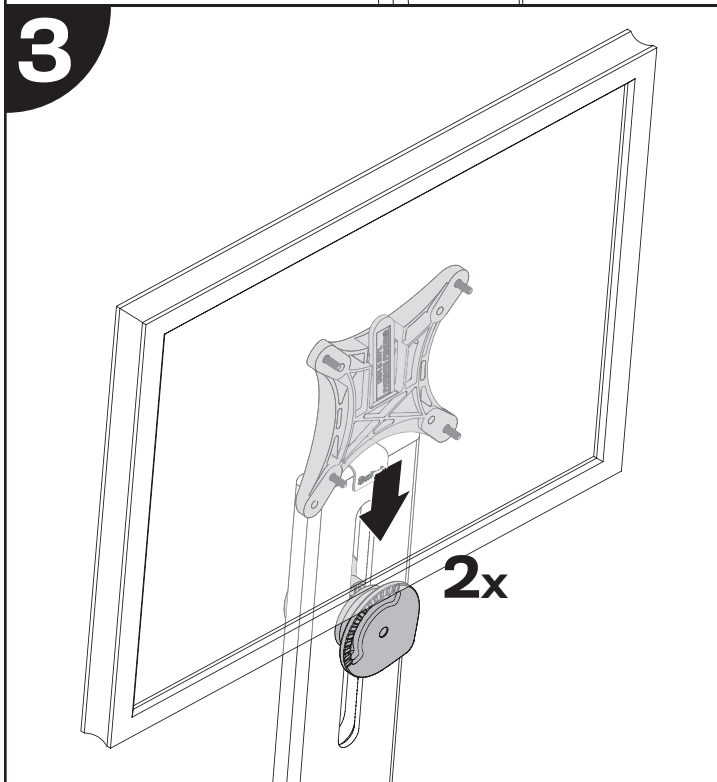
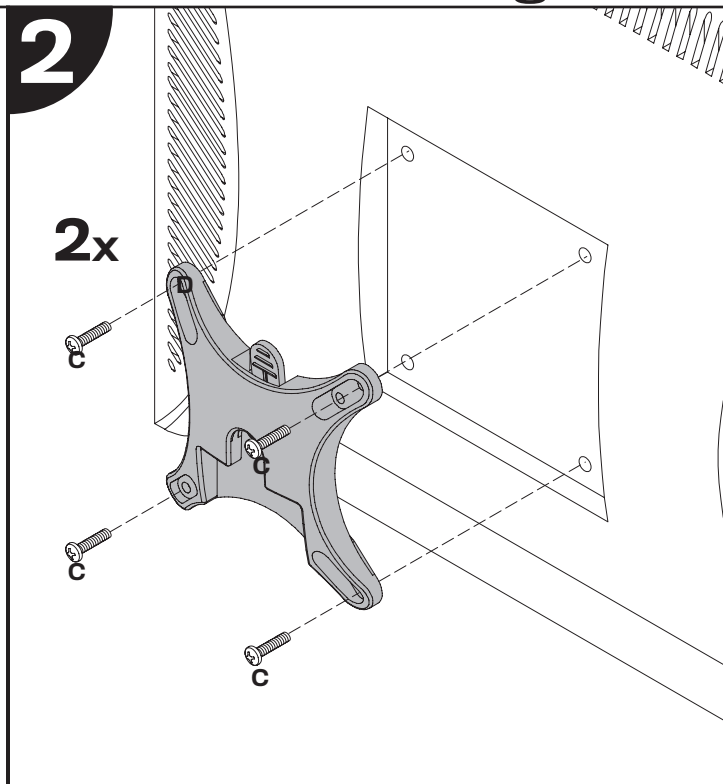
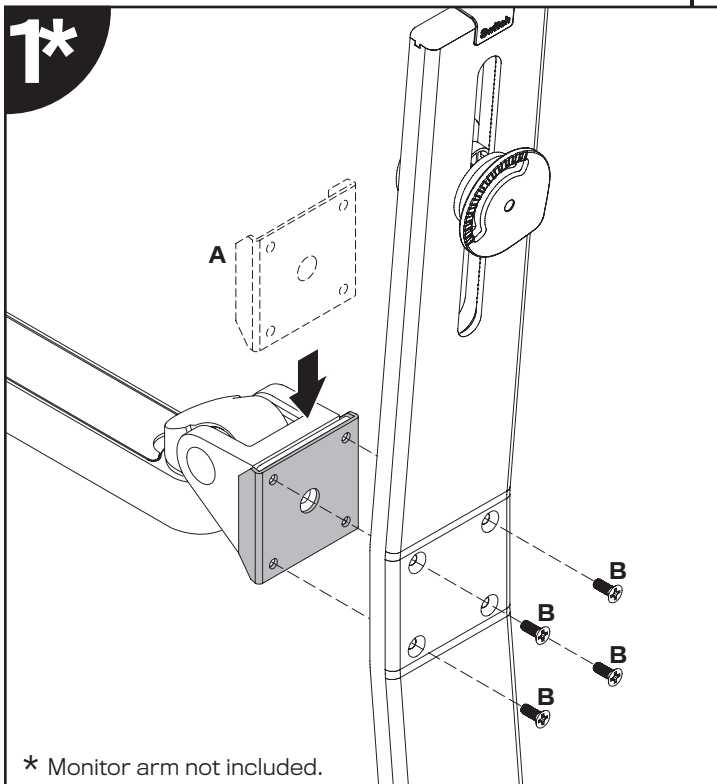
SWITCH™

Installation Instructions | Horizontal Positioning



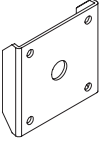
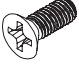
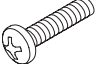
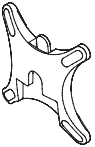
SWITCH™

Installation Instructions | Vertical Positioning



SWITCH™

Parts List

ITEM	DESCRIPTION / PART NO.	QUANTITY
A 	Rotation Prevention Bracket 106271	1
B 	10-32 x 1/2" FPhMS 709129	4
C 	M4 x 12mm Pan Head Screw 701153	8
D 	75/100mm VESA® Adapter 109464	2