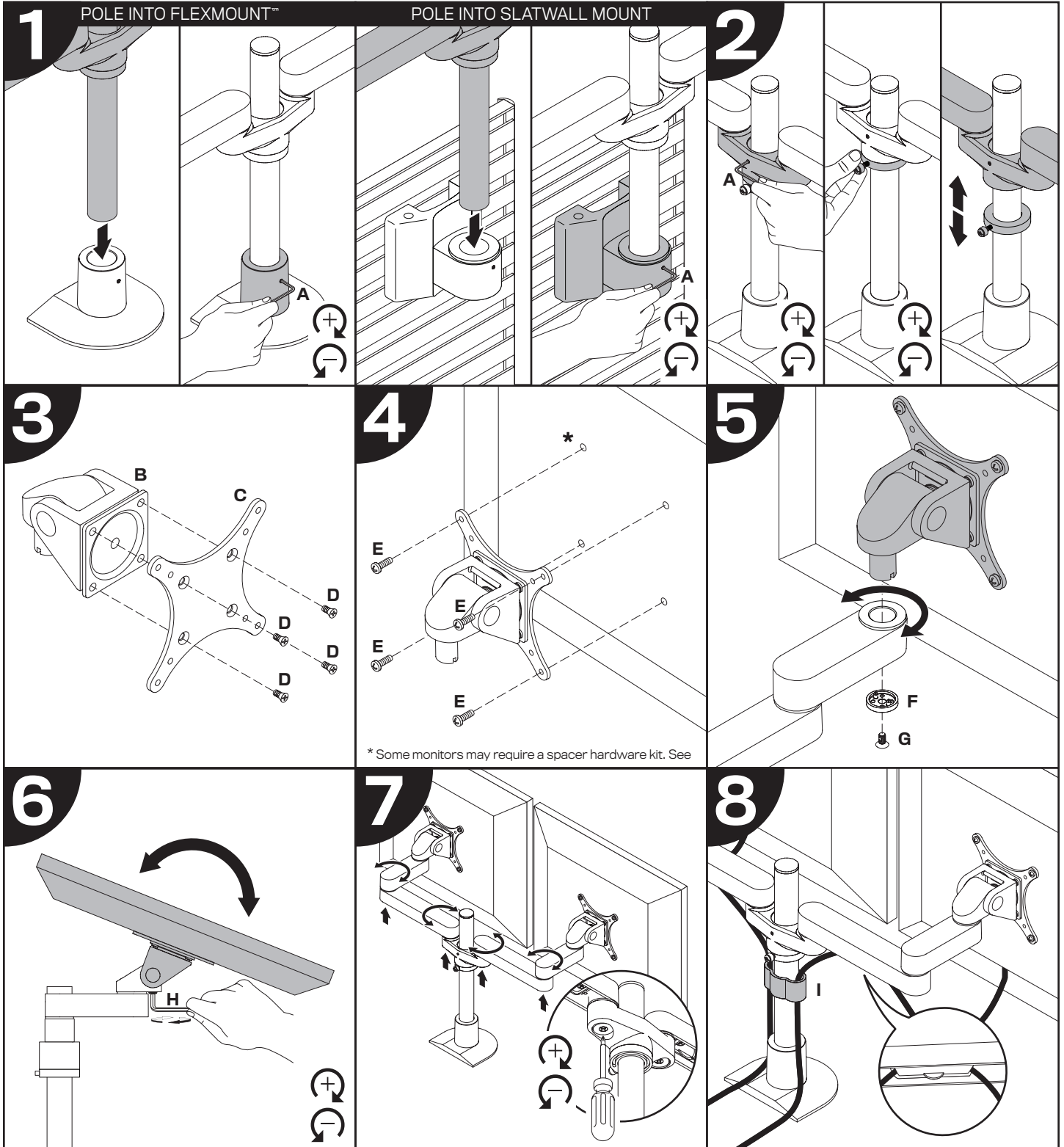
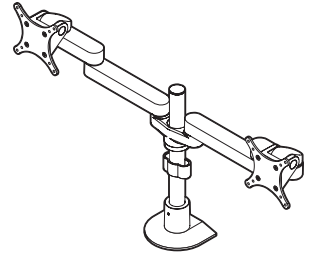
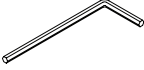
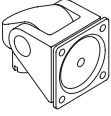







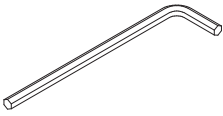
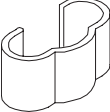
Innovative Ergonomic Solutions companies

MODEL 9120

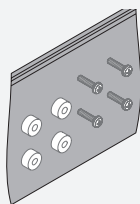
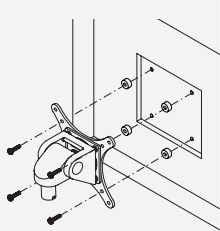


MODEL 9120

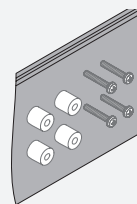
ITEM	DESCRIPTION / PART NO.	
A	3/32" Allen Wrench 700146	1
		
B	Monitor Tilter 405397	1
		
C	75/100mm VESA® Adapter Plate 105587	1
		
D	10-32 x 3/8" Phillips Flat Head Screw 1 702281 (4-pack)	
		
E	M4 x 12mm Phillips Pan Head Screw 1 702096 (4-pack)	
		

ITEM	DESCRIPTION / PART NO.	
F	Dog Washer 105189	1
		
G	0-32 x 3/8" FPhMS w/Lock Patch 1 705198	
		
H	7/32" Allen Wrench 701127	1
		
I	Cable Clip 702506	1
		

OPTIONAL SPACER KITS In some cases, the mounting surface on your monitor may be recessed further than permitted by VESA® standards. As a result, a spacer kit may be required.



.25" Spacer Hardware Kit
(4) .25" Spacers
(4) M4 x 18mm Phillips Pan Head
Screws
Order # P404923-B



.5" Spacer Hardware Kit
(4) .5" Spacers
(4) M4 x 25mm Phillips Pan Head
Screws
Order # P404923-C