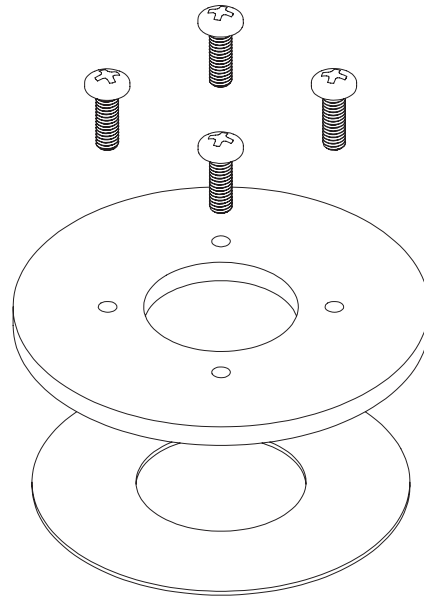


PTS-ADB

Installation Instructions



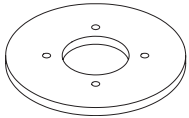
PTS-ADB

Parts List

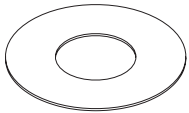
A M6-1 x 18 PhPHMS 4x
110470

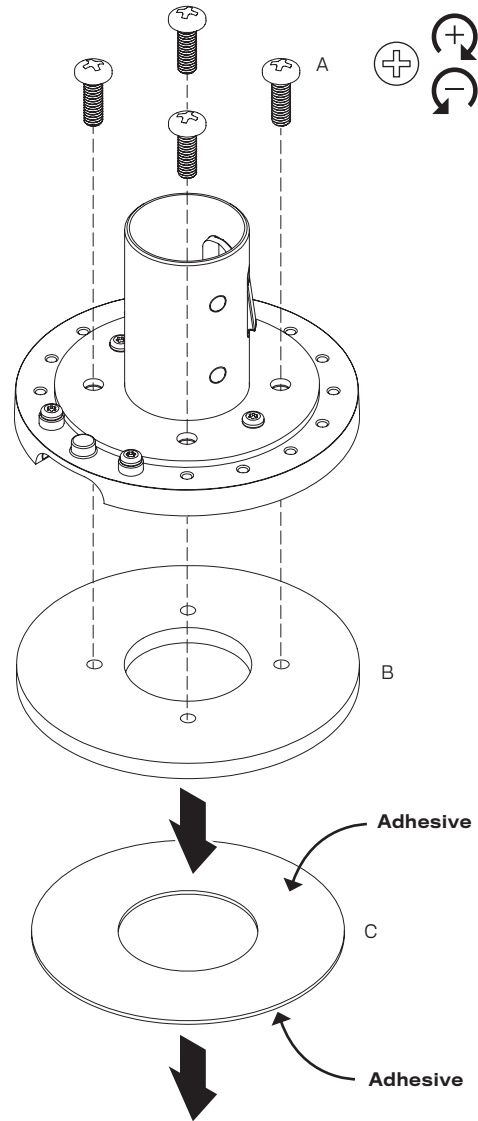
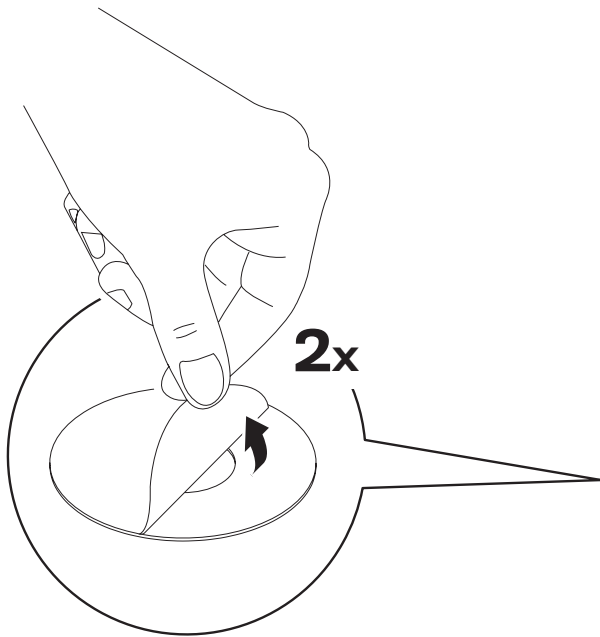


B Weighted Steel Plate 1x
114874



C Payment Terminal Stand Adhesive Disc 1x
114482





i To complete the mount installation, please refer to the payment terminal stand installation instructions.